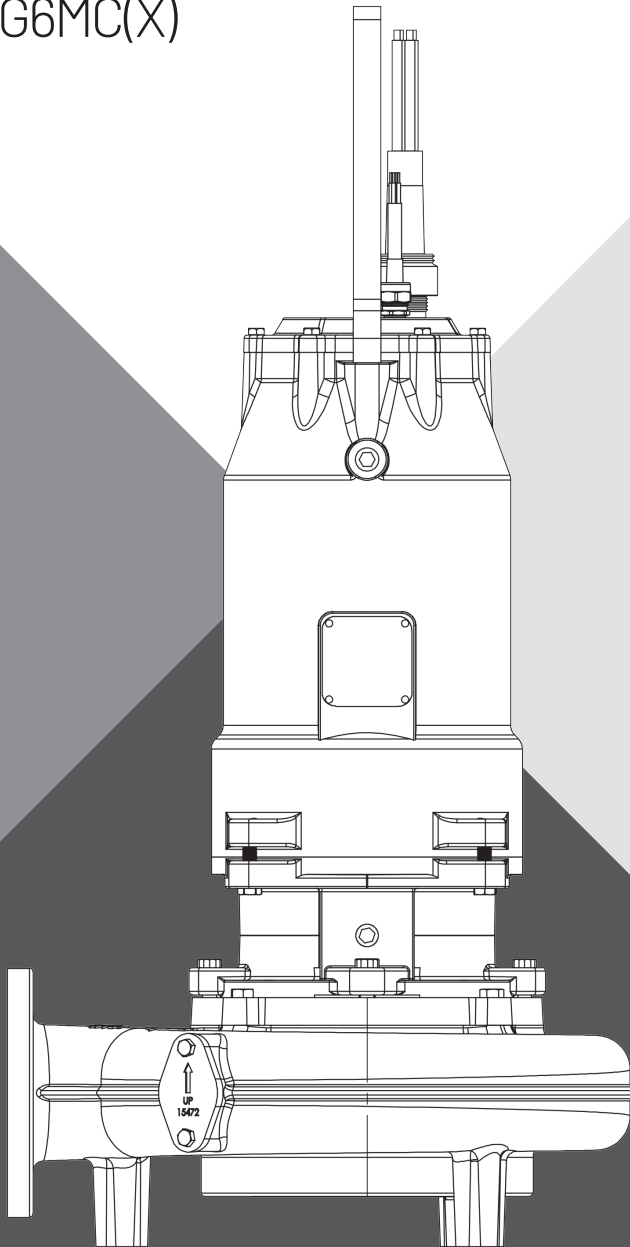




SUBMERSIBLE SOLIDS HANDLING PUMP

MNG3SC(X), MNG4SC(X), MNG4HC(X),
MNG6MC(X)



MY12715 / 23853A733 (03-24-25)



INSTALLATION & OPERATION MANUAL

pentair.com/myers

©2025 Pentair. All Rights Reserved.

TABLE OF CONTENTS

SAFETY INFORMATION 3

GENERAL INFORMATION 4

INSTALLATION 5

OPERATION / MAINTENANCE 6

TROUBLESHOOTING 8


PARTS LIST 10


WIRING DIAGRAMS 16


WARRANTY 18


SAFETY INFORMATION

SAFETY SYMBOLS

 This is the safety alert symbol. When you see this symbol on your pump or in this manual, look for one of the following signal words and be alert to the potential for personal injury:


 **DANGER** warns about hazards that will cause serious personal injury, death or major property damage if ignored.

 **WARNING** warns about hazards that can cause serious personal injury, death or major property damage if ignored.



 **CAUTION** warns about hazards that will or can cause minor personal injury or property damage if ignored.




The word **NOTICE**: indicates special instructions that are important but not related to hazards.

CALIFORNIA PROPOSITION 65 WARNING


 **WARNING** This product and related accessories contain chemicals known to the State of California to cause cancer, birth defects or other reproductive harm.


GENERAL SAFETY


- ◆  **CAUTION** Do not touch an operating motor. Modern motors can operate at high temperatures. To avoid burns when servicing pump, allow it to cool for 30 minutes after shutdown before handling.
- ◆ Follow all applicable local and state codes and regulations.
- ◆ Submersible pumps are not approved for and should not be used in swimming pools, recreational water installations, decorative fountains or any installation where human contact with the pump fluid is common. Pump is designed for municipal and commercial wastewater applications.
- ◆ Keep safety labels in good condition, replacing any missing or damaged labels.
- ◆ **DO NOT** run the pump dry. Dry running can overheat the pump, (causing burns to anyone handling it) and will void the warranty.
- ◆ The pump is permanently lubricated. No oiling or greasing is required in normal operation.
- ◆ Periodically inspect pump and system components.
- ◆ Wear safety glasses at all times when working on pumps.
- ◆ Keep work area clean, uncluttered and properly lighted. Store all unused tools and equipment.
- ◆ **DO NOT** use to pump flammable liquids.
- ◆  **DANGER RISK OF FIRE OR EXPLOSION.** Can cause severe personal injury, property damage or death. Do not smoke or use open flames in or around this system.

- ◆  **DANGER CUTTING RISK.** Risk of serious cutting or amputation exists. Use caution as liner plate is extremely sharp. Always keep fingers and hands away from cutting profiles. Disconnect all power sources prior to servicing pump. Pump may start without warning.
- ◆  **DANGER RISK OF ASPHYXIATION.** Installer(s) and/or service personnel must use proper Personal Protective Equipment and follow OSHA 29 CFR 1910.146 or OSHA 29 CFR 1926. Pump may be installed in a location classified as a confined space.
- ◆  **DANGER BIOHAZARD RISK.** Once wastewater source has been connected to system, Biohazard Risk exists. Installer(s) and/or service personnel must use proper personal Protective Equipment and follow handling procedures per OSHA 29 CFR 1910.1030 when handling equipment after wastewater source has been connected to system.
- ◆ **NOTICE:** FM rated models are only to be used in 60hz applications.

ELECTRICAL SAFETY

 **DANGER HAZARDOUS VOLTAGE. CAN SHOCK, BURN, OR KILL.** When installing, operating, or servicing this pump, follow the safety instructions listed below.

- ◆  **DANGER ELECTROCUTION HAZARD:** Must be installed by a qualified professional. Disconnect all electrical power before attempting service.
- ◆ **DO NOT** modify the cord. When wiring to a system control, connect ground lead to the system ground.
- ◆ **DO NOT** splice the electrical power cord.
- ◆ **DO NOT** allow the power leads on the end of the electrical cords to be submerged.
- ◆ **DO NOT** handle or service the pump while it is connected to the power supply.

 **WARNING** A water test must be taken before installation of any water treatment equipment. The water quality can significantly influence the life of your system. You should test for corrosive elements, acidity, total solids and other relevant contaminants, including chlorine and treat your water appropriately to ensure satisfactory performance and prevent premature failure.

GENERAL INFORMATION

This manual contains important safety information regarding the use of this product. This product should only be installed and serviced by a qualified professional. Carefully read and follow all safety instructions in this manual and on the unit itself before installing or operating pump. Keep this manual for future reference.

Reasonable care and safe methods should be practiced. Check local codes and requirements before installation.

UNPACKING PUMP

▲ WARNING **LIFTING HAZARD.** Unassisted lifting of pump can cause injury. Mechanical assistance required.

DO NOT life pump by power cord.

When unpacking unit, check for damage. Claims for damage must be made at the receiving end through the delivery carrier. Damage cannot be processed from the factory.

▲ DANGER **RISK OF FIRE OR EXPLOSION.** Before handling these pumps and controls, always disconnect the power first. Do not smoke or use sparkable electrical devices or flames in a septic (gaseous) or possible septic sump. Do not pump flammable liquids with this pump.

PUMPS IN STORAGE OR NOT OPERATING

Pumps with silicon/carbide seals must have impellers manually rotated (6 revolutions) after setting non-operational for 3 months or longer and prior to electrical start-up.

SEAL FAILURE PROBES

HAZARDOUS DUTY RATED PUMPS:

All submersible pumps have two factory installed moisture detectors (seal failure probes). They should have a resistance of around 330K ohms for the series circuit in the seal chamber. Under normal operating conditions, the circuit remains around 330K ohm. If the circuit shows open the circuit is not complete indicating a broken wire, corroded wire, or loose connection. If the lower seal leaks and moisture enters this chamber, the moisture would settle to the bottom of the chamber and will complete (significantly less than 330K ohms) the circuit between the moisture detectors.

NON-HAZARDOUS DUTY RATED PUMPS:

For all non-hazardous duty rated pumps the resistance(ohm) readings between the seal probe wires should be open in normal operating conditions. A lower resistance indicates water intrusion.

This circuit must be connected to a sensing unit and signaling device. This is supplied in a manufacturer built control panel. Failure to install such a device negates all warranties.

HEAT SENSORS

All motors in this family have heat sensors on or embedded in the motor winding to detect excessive heat. This prevents damage to the motor. If sensor trips due to excessive winding temperature, the starter in the panel interrupts power to the pump. **The sensors are set to trip at 130°C.**

Failure to install such circuitry would negate FM approvals and all warranties.

POWER CORDS

The power cord and heat sensor seal failure cord are potted into the cord cap. The cords must not be spliced.

Each cable has a green lead. This is the ground wire and must be grounded properly per NEC and/or local codes. Cords should be inspected for abnormal wear and replaced accordingly.

OVERLOAD HEATERS

If the electrical panel is not used, starters with 3 leg overload relay must be supplied on 3 phase pumps. Each leg is to have an identical heater sized in accordance with the nameplate amps on the motor housing. The amp draw on these submersible motors is slightly higher than a corresponding horsepower surface motor, so heaters must be sized by the nameplate rating.

INSTALLING SUMP LEVEL CONTROLS FLOAT CONTROLS

In all systems, the lower or turn-off control is to be set to maintain a minimum level in the sump. This level shall be no more than 3-1/4" from the top of the motor housing down to the surface of the sewage.

The second or turn-on control is set above the lower turn-off control. The exact distance between the two floats must be a compromise between a frequent pumping cycle (15 starts per hour max.) to control septicity, solids and a slower cycle for energy economy. This distance should be determined by the engineer or consulting engineer, depending on the conditions of the application.

INSTALLING PUMP IN SUMP

Before installing the pump in the sump, lay it on its side and rotate impeller. Impeller may be slightly stuck due to factory test water. The impeller should turn freely. **Do not** connect the power until after this test.

Clean all debris from sump and connect pump to piping. A check valve must be installed on each pump and a gate or plug valve in each pump discharge is highly recommended. This valve should be installed on the discharge side of the check valve so if it becomes necessary to service the check valve, the line pressure can be cut off. Single pump systems are sometimes installed without a check valve where it is desirable to self-drain the discharge line to prevent freezing. This can be done only with short discharge lines; otherwise water will return to the sump and cause short cycling of the pump.

INSTALLATION

MAKING ELECTRICAL CONNECTIONS



Risk of electrical shock.
Can burn or kill.
Do not lift pump by
power cord.

⚠ DANGER ELECTROCUTION HAZARD: Must be installed by a qualified professional. Disconnect all electrical power before installation or servicing the pump.

All electrical wiring must be in accordance with local codes, and only competent electricians should make the installations. Complete wiring diagrams are glued to the inside cover of the panel. It is VERY IMPORTANT to check all wires for grounds with an ohmmeter or Megger meter after the connections are made **as one grounded wire can cause considerable trouble.**

NOTICE: FM rated models are only to be used in 60Hz applications.

IMPORTANT: If equipment is not properly wired and protected as recommended, the warranty is void.

⚠ CAUTION The 230 volt 3 phase pump has a dual marked nameplate. For ordinary location pumps, voltage may be rewired by qualified personnel. For hazardous location pumps, voltage may be rewired by the manufacturer or a Class I, Div I equipment qualified electrician. Once the voltage is changed, the factory cord tag indicating 230 volt 3 phase must be removed.

For record keeping purposes, we suggest the pump be marked externally with the new voltage and qualified personnel that performed the change. Pumps shipped from the factory as 460 volt 3 phase cannot be rewired to any other voltage.

TO RE-WIRE THE PUMP FROM 230V TO 460V 3 PHASE

Only a 230V pump from the factory is considered dual voltage, a cord label clearly states the factory wound voltage.

1. Remove all six (#7) cap screws then raise the cord cap assembly enough to slip a prying instrument on opposite sides between the cord cap casting and the motor housing. Take care to not damage the o-ring or the machined surfaces of the castings. Doing so could void FM agency certifications.
2. While prying evenly on both sides; separate the cord cap casting from the motor housing, the assembly is airtight and will have a vacuum effect when disassembling.
3. Once separated, the cord cap can be inverted and rotated to the outside of the pump assembly, and a bolt can be re-used to secure the upside down cord cap to the motor housing for ease of rewiring.

Refer to the wiring diagram within this manual for wiring details. Once all electrical connections are finished and secure (a crimped electrical connector is best to prevent issues due to vibration if required), the cord cap should be re-attached reversing the steps above. Ensure the o-ring is in place and perform a hi-pot test for safety once everything is complete.

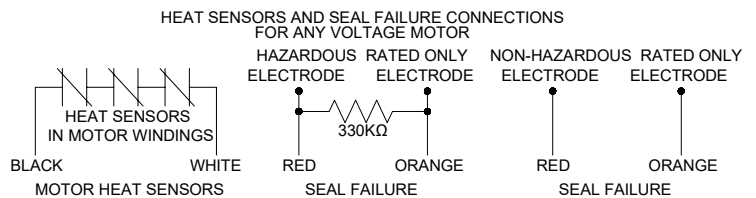
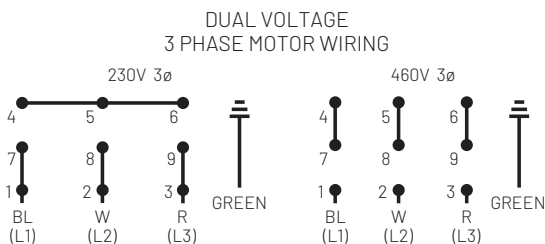
HEAT SENSORS AND SEAL FAILURE CONNECTIONS

Be sure heat sensor wires are connected in series with the starter coil. Connections are provided on the terminal strip.

NUMBER OF CONDUCTORS REQUIRED BETWEEN CONTROL PANEL AND NEMA 4 JUNCTION BOX

Power lines and control wires can be carried in conduit or can be underground buried cable

SYSTEM TYPE	NUMBER OF CONTROL WIRES	NUMBER OF POWER LINES	NUMBER OF GROUND WIRES #8	HEAT SENSOR & SEAL FAILURE	
				NUMBER OF SENSOR WIRES	NUMBER OF GROUND WIRES
Simplex	4	3	1	3	1
Simplex with Alarm	6	3	1	3	1
Duplex	6	6	2	6	2
Duplex with Alarm	8	6	2	6	2



OPERATIONS & MAINTENANCE

⚠ DANGER RISK OF FIRE OR EXPLOSION. Do not smoke or use open flames in or around this system. Only the FM listed products are to be used in a hazardous location applications per NFPA 70 National Electric Code. Do not pump flammable liquids. Do not use non-hazardous pumps in explosive environments.

⚠ DANGER CUTTING RISK. Risk of serious cutting or amputation exists. Always keep fingers and hands away from cutting profiles. Disconnect all power sources prior to servicing pump. Pump may start without warning. Use caution as liner plate is extremely sharp.

PUMP OPERATIONS STARTING SYSTEM

1. Double check all wire connections.
2. Turn pumps to Off position on H-O-A switches.
3. Turn on breakers.
4. Connect amprobe to pump power cord and turn pump on. The pump will show high amp draw momentarily, then as pump approaches normal running speed, amps will drop to normal nameplate amps.
5. When using three phase pumps(208/230/460/575), turn the H-O-A switch to Hand position on one pump and notice operation. If pump is noisy and vibrates, rotation is wrong. To change rotation, interchange any two line leads to pump. Do not interchange main incoming lines. Check rotation of all pumps in this same manner.
6. Now set both H-O-A switches to Auto position and allow water to rise in sump until one pump starts. Allow pump to operate until the level drops to turn-off point.
7. Allow sump level to rise to start other pump(s). Notice run lights in panel. Pumps should alternate on each successive cycle of operation.
8. Turn both H-O-A switches to Off position and allow sump to fill to the override control level(s).
9. Turn switches to Auto position, and pumps should start and operate together until level drops to turn-off point.
10. Repeat this operation and cycle several times before leaving the job.
11. Check voltage when pumps are operating and check the amp draw of each pump. Check amps on each pump conductor as sometimes a high leg will exist. For excessive voltage on one leg, the electric utility company should be consulted.

PUMP MAINTENANCE

As the motors are oil filled, no lubrication or other maintenance is required.

ON HAZARDOUS DUTY RATED PUMPS ONLY: If the heat sensor and seal failure are hooked up properly, no attention is necessary as long as the seal failure indicator light does not come on. To ensure continuity of the seal sensor leads, a test light is provided on intrinsically safe panels as standard equipment.

⚠ WARNING Before handling these pumps and controls, always disconnect the power first. Do not smoke, use flames or devices that can produce electrical discharge or sparks in a septic (gaseous) or possible septic sump.

FIELD SERVICE ON ORDINARY LOCATION PUMPS

Ordinary location submersible motors that are out of warranty can be serviced in the field by any reliable motor service shop.

Any pump that is in warranty must be returned to the factory for service or repaired at an authorized service center. Charges will not be allowed if (in warranty) pump is not taken to an authorized service center. When field service is performed on a pump, these instructions should be carefully followed.

FIELD SERVICE ON HAZARDOUS LOCATION PUMPS

Hazardous location pumps must be returned to the factory for electrical and motor service. Any repair not at an authorized service center will void the Factory Mutual (FM) listing. This will ensure the integrity of the hazardous location rating of the pump and comply with our warranty requirements.

The cartridge seal, volute, liner, and impeller may be repaired or replaced by an authorized service facility without compromising the hazardous location rating to the pump.

For any repairs in which the oil is drained, the pump must be re-filled with an approved oil. The motor chamber cannot be disassembled during repairs as this will result in loss of agency rating.

Any time a seal is disturbed, it must be replaced.

Check the pump for proper rotation before returning to service.

OPERATIONS & MAINTENANCE

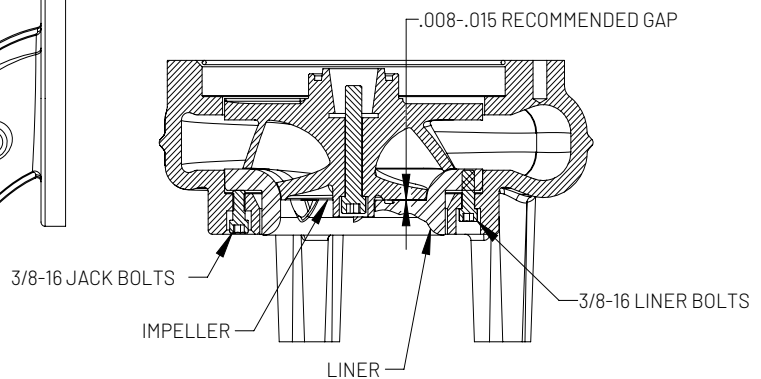
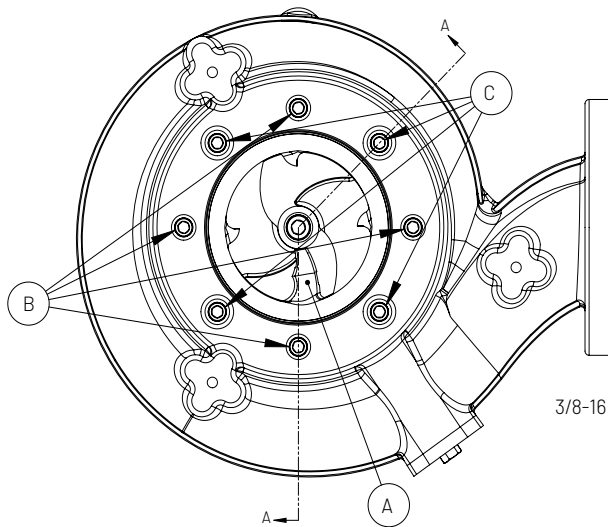
ADJUST CUTTER CLEARANCE ON CHOPPING MECHANISM

⚠ DANGER



⚠ DANGER CUTTING RISK. Risk of serious cutting or amputation exists. Use caution as liner plate is extremely sharp. Always keep fingers and hands away from cutting profiles. Disconnect all power sources prior to servicing pump. Pump may start without warning.

1. First install the liner plate with chopper bar (Item A) into the volute. It may be helpful to install 3/8-16 studs into the liner plate to line up the holes with the corresponding volute holes. You may have to tap the plate all the way down with a rubber hammer.
2. Remove the studs and replace with four 3/8-16 bolts (Item B) in the large counterbored holes from beneath the volute, only thread in enough to hold screws in place.
3. Install motor with impeller mounted, tighten motor housing bolts to volute.
4. Tighten four 3/8-16 (Item C) socket head cap screws in the chamfered counterbored holes until liner plate is sitting flat against impeller, ensure (Item B) is still loose which allows the liner plate to rest against the impeller.
5. Next back off the same 3/8-16 (Item C) screws away from liner plate 1/8 - 1/4 turn for the recommended .008-.015 clearance.
6. Tighten the opposite four 3/8-16 (Item B) screws evenly to 25-30 Ft-lbs. Ensure all screws have proper torque to prevent backing out. A thread locking compound is recommended to prevent vibrational loosening over time.
7. Measure the clearance with a feeler gauge it should be between .008 to .015.
8. Spin impeller with a hex wrench in the impeller hub or use a wooden pry bar to spin impeller to make sure there is no rub.
9. If you hear or feel a rub, readjust the clearance by loosening screws (Item C) evenly and retightening (Item B) screws.



TROUBLESHOOTING

PUMP TROUBLESHOOTING

Below is a list of common problems and the probable causes

PUMP WILL NOT START

1. No power to the motor. Check for blown fuse or open circuit breaker.
2. Selector switch may be in the Off position.
3. Control circuit transformer fuse may be blown.
4. Overload heater on starter may be tripped. Push to reset.

PUMP WILL NOT START AND OVERLOAD HEATERS TRIP

1. Turn off power and check motor leads with Megger or ohmmeter for possible ground.
2. Check resistance of motor windings. All 3 phases should exhibit the same reading.
3. If no grounds exist and the motor windings check OK, remove pump from sump and check for clogged or blocked impeller.

PUMP OPERATES WITH SELECTOR SWITCH IN HAND POSITION BUT WILL NOT OPERATE IN AUTO POSITION

1. This indicates trouble in the float level control or the alternator relay.
2. Check control panel for trouble.

PUMP RUNS BUT WILL NOT SHUT OFF

1. Pump may be air locked. Turn pump off and let set for several minutes, then restart.
2. Lower float control may be hung-up in the closed position. Check in sump to be sure control is free.
3. Selector switch may be in the Hand position.

PUMP DOES NOT DELIVER PROPER CAPACITY

1. Discharge gate valve may be partially closed or partially clogged.
2. Check valve may be partially clogged. Raise level up and down to clear.
3. Pump may be running in wrong direction. Low speed pumps can operate in reverse direction without much noise or vibration.
4. Discharge head may be too high. Check total head with gauge when pump is operating. Total head is discharge gauge pressure converted to feet plus vertical height from water level in sump to center line of pressure gauge in discharge line. Gauge should be installed on pump side of all valves. Multiply gauge pressure in pounds by 2.31 to get head in feet.
5. If pump has been in service for some time and capacity falls off, remove pump and check for wear or clogged impeller.

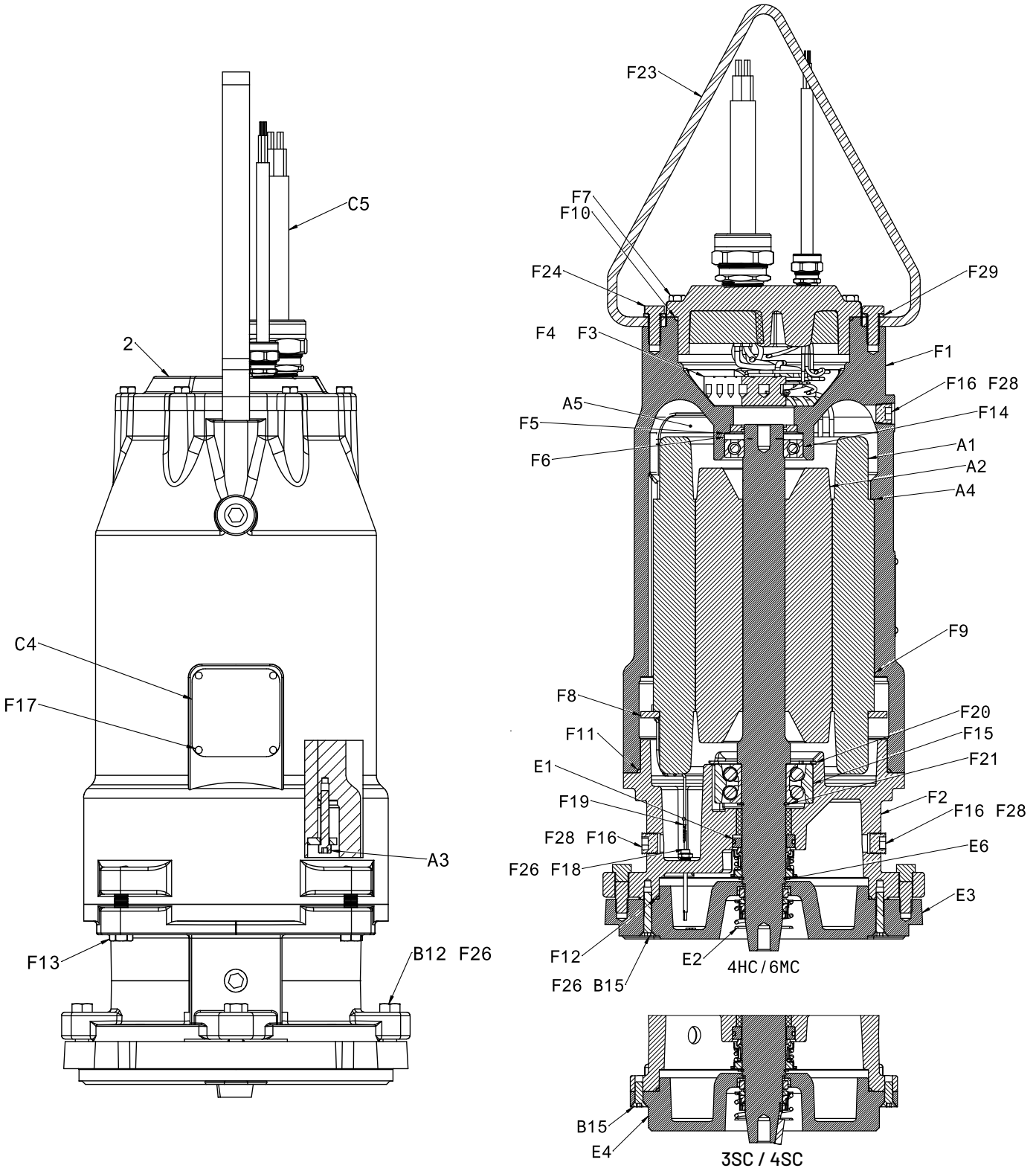
MOTOR STOPS AND THEN RESTARTS AFTER SHORT PERIOD BUT OVERLOAD HEATERS IN STARTER DO NOT TRIP

1. This indicates heat sensors in the motor are tripping due to excessive heat. Impeller may be partially clogged giving a sustained overload but not high enough to trip overload heater switch.
2. Motor may be operating out of liquid due to a failed level control.
3. Pump may be operating on a short cycle due to sump being too small or from water returning to sump due to a leaking check valve.

IF YOU HAVE ANY QUESTIONS REGARDING THE INSTALLATION, OPERATION, MAINTENANCE OR TROUBLESHOOTING OF THE PUMP, PLEASE CALL PENTAIR AT 855-274-8947.

PARTS LIST

MNG3SC(X), MNG4SC(X), MNG4HC(X), MNG6MC(X)



PARTS LIST

ITEM	PART DESCRIPTION	PART #	3SC / 4SC	4HC / 6MC
2	CORD CAP 10-4 35'	152880315	*	*
2	CORD CAP 8-4 35'	152880325	*	*
2	CORD CAP 6-4 35'	152880355	*	*
A1	STATOR	SEE MOTOR PARTS GROUP	1	1
A2	ROTOR/SHAFT	SEE MOTOR PARTS GROUP	1	1
A3	STATOR BOLT SHCS	SEE MOTOR PARTS GROUP	4	4
A4	STATOR SPACER	007362141	1	1
A5	OIL	153620017	—	—
B12	SCREW CAP HEX SST BRG HSG TO SEAL PLATE	19103A071	—	4
B15	SCREW FLAT HEAD SST SEAL PLATE TO BRG HSG	07597A017	4	—
		047560061	—	2
F1	HOUSING-MOTOR	28010D000	1	1
F2	HOUSING-BEARING	27818D016	1	1
F3	TERMINAL BLOCK	27882A009	1	1
F4	SCREW-CAP SKT HD. TERMINAL BLOCK	06106A069	2	2
F5	SCREEN	110650033	1	1
F6	WASHER-SPRING (THRUST)** / ++	19331A007	1	1
F7	SCREW HEX HEAD CORD CAP TO MTR HSG	19101A017	6	6
F8	RING-STATOR	026032103	1	1
F9	KEY-SQ. 5/32" STATOR KEY	05818A090	1	1
F10	O-RING CORD CAP TO MTR HSG ** / ++	001500191	1	1
F11	O-RING MTR HSG TO BRG HSG ** / ++	05876A135	1	1
F12	O-RING BRG HSG TO SEAL PLATE ** / ++	05876A121	1	1
F13	SCREW HEX HEAD MTR HSG TO BRG HSG	19103A048	4	4
F14	BEARING-BALL UPPER ** / ++	000650111	1	1
F15	BEARING-BALL ANG. CONTACT DBL ROW ** / **	071670181	1	1
F16	PLUG-PIPE 1/2" SKT HD.	009240101	3	3
F17	SCREW-DRIVE #6	045800011	6	6
F18	PROBE-SEAL FAILURE ** / ++	109010011	2	2
F19	SEAL-SENSOR ASS'Y ** / ++	109000035	1	1
F20	RING-RETAINING EXTERNAL BRG ** / ++	12558A017	1	1
F21	RING-RETAINING INTERNAL BRG ** / ++	009740031	1	1
F23	LIFTING BAIL	25371B007	1	1
F24	LIFTING BAIL HEX HEAD	005680101	2	2
F26	LOCTITE [®] 242 - BLUE (ITEMS ARE NOT FOR SALE)	NOT INCLUDED	1	1
F27	LOCTITE 277 - RED (ITEMS ARE NOT FOR SALE)	NOT INCLUDED	1	1
F28	SEALANT - PIPE (ITEMS ARE NOT FOR SALE)	NOT INCLUDED	1	1
F29	WASHER LOCK SST LIFTING BAIL	05454A016	2	2
E1	UPPER SHAFT SEAL 1.75" ** / ++	110491001	1	1
E2	LOWER SHAFT SEAL 1.5" ** / ++	009201001	1	1
E3	SEAL PLATE LARGE REGISTER	154670002	—	1
E4	SEAL PLATE SMALL REGISTER	27819D003	1	—
E6	EXTERNAL RETAINING RING **	12588A017	1	1
C4	NAMEPLATE	134257601	1	1
	REPAIR KIT MYERS FOR MODELS 3SC/4SC	528691057	1	-
	REPAIR KIT MYERS FOR MODELS 4HC/6MC	528691257	—	1

* Cord size is dependent upon model.

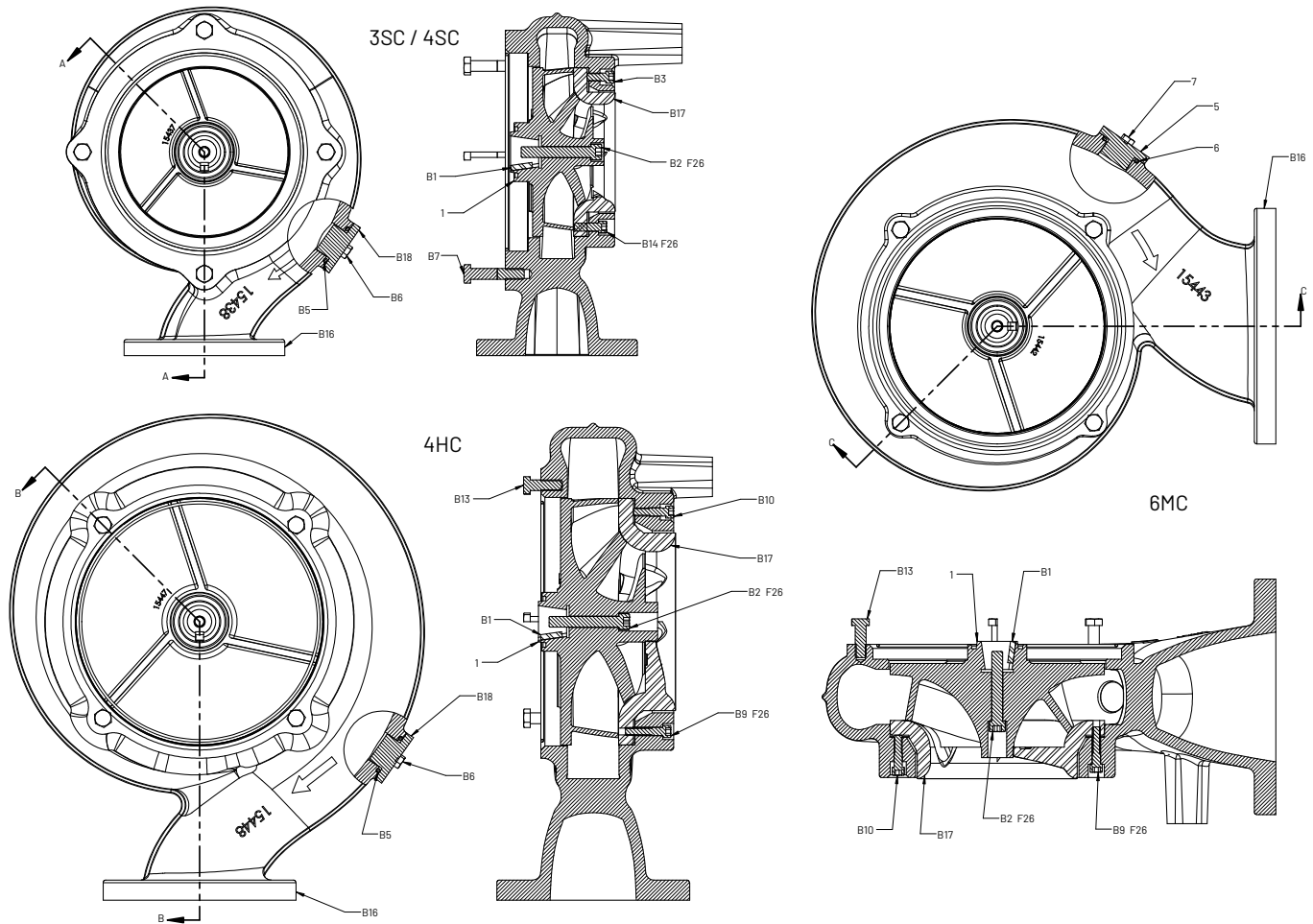
All parts listed are saleable unless otherwise noted.

** Included with 3SC/4SC Repair Kit.

++ Included with 4HC/6MC Repair Kit.

PART LIST

HYDRAULIC ENDS



TYPICAL: GAP BETWEEN LINER(B17) AND IMPELLER(1) TO BE SET AT .008-.015" FROM FACTORY

ITEM	DESCRIPTION	3SC	4SC	4HC	6MC
B1	KEY 3/8 X 1/4 SHAFT TO IMP ** / ++	083460011	083460011	083460011	083460011
B2	SCREW-CAP(HEX SOC) SST IMP BOLT	005680191	005680191	005680191	005680191
B3	SCREW-CAP(HEX SOC) LINER JACK BOLT	005560191(4)	005560191(4)	—	—
B4	O-RING VOL TO SEAL PLATE ** / ++	001500241	001500241	—	—
B5	RING O VOL COVER ** / ++	05876A108	05876A108	05876A108	05876A108
B6	SCREW-HHC SST VOL COVER	002380301(2)	002380301(2)	002380301(2)	002380301(2)
B7	SCREW CAP HEX SST BRG HSG TO VOL	19103A048(4)	19103A048(4)	—	—
B9	SCREW-CAP(HEX SOC) SST LINER BOLT	—	—	005560081(4)	005560081(4)
B10	SCREW-CAP(HEX SOC) LINER JACK BOLT	—	—	005560211(4)	005560211(4)
B11	RING O VOL TO SEAL PLATE ** / ++	—	—	05876A280	05876A280
B12	SCREW CAP HEX SST BRG HSG TO SEAL PLATE	—	—	19103A071(4)	19103A071(4)
B13	SCREW CAP HEX SST SEAL PLATE TO VOL	—	—	19103A043(4)	19103A043(4)
B14	SCREW-CAP(HEX SOC) LINER BOLT	005560201(4)	005560201(4)	—	—
B16	VOLUTE	154380002	154384502	154481002	154430002
B17	LINER CHOPPER	154390002	154390002	154490002	154440002
B18	VOLUTE COVER	154720012	154720012	154720012	154720012

PARTS LIST

MOTOR PARTS

ITEM	2-POLE 3450RPM	15 HP	15/20/23 HP	15/20/23 HP
		208/3/60	230/460/3/60	575/3/60
A1	STATOR	27889D003	27889D003	27889D603
A2	ROTOR/SHAFT ASSEMBLY	27887D015	27887D015	27887D015
A3	BOLT-STATOR(4)	001780051	001780051	001780051
A4	SPACER	007362141	007362141	007362141
A5	OIL-TRANSFORMER	153620017	153620017	153620017

ITEM	4-POLE 1750RPM	10/15/20 HP	10/15/20/23 HP	10/15/20/23 HP
		208/3/60	230/460/3/60	575/3/60
A1	STATOR	27886D003	27886D003	27886D603
A2	ROTOR/SHAFT ASSEMBLY	27886D015	27886D015	27886D015
A3	BOLT-STATOR(4)	06106A070	06106A070	06106A070
A4	SPACER	—	—	—
A5	OIL-TRANSFORMER	153620017	153620017	153620017

IMPELLER PARTS LIST - MNG3SC(X) 3450 RPM

CATALOG #	ENGINEERING #	HP	VOLTAGE/PH	CORD	TRIM	IMPELLER
MNG3SC015203	28251E021	15	208/3	8-4	5.88"	154371132
MNG3SC015223	28251E022	15	230/460/3	8-4	5.88"	154371132
MNG3SC015243	28251E023	15	460/3	8-4	5.88"	154371132
MNG3SC015253	28251E024	15	575/3	10-4	5.88"	154371132
MNG3SCX015203	28251E621	15	208/3	8-4	5.88"	154371132
MNG3SCX015223	28251E622	15	230/460/3	8-4	5.88"	154371132
MNG3SCX015243	28251E623	15	460/3	8-4	5.88"	154371132
MNG3SCX015253	28251E624	15	575/3	10-4	5.88"	154371132
MNG3SC020223	28251E032	20	230/460/3	8-4	6.75"	154371062
MNG3SC020243	28251E033	20	460/3	8-4	6.75"	154371062
MNG3SC020253	28251E034	20	575/3	8-4	6.75"	154371062
MNG3SCX020223	28251E632	20	230/460/3	8-4	6.75"	154371062
MNG3SCX020243	28251E633	20	460/3	8-4	6.75"	154371062
MNG3SCX020253	28251E634	20	575/3	8-4	6.75"	154371062
MNG3SC023223	28251E041	23	230/460/3	6-4	7.25"	154371022
MNG3SC023243	28251E042	23	460/3	8-4	7.25"	154371022
MNG3SC023253	28251E043	23	575/3	8-4	7.25"	154371022
MNG3SCX023223	28251E641	23	230/460/3	6-4	7.25"	154371022
MNG3SCX023243	28251E642	23	460/3	8-4	7.25"	154371022
MNG3SCX023253	28251E643	23	575/3	8-4	7.25"	154371022

PARTS LIST

IMPELLER PARTS LIST - MNG4SC(X) 3450 RPM

CATALOG #	ENGINEERING #	HP	VOLTAGE/PH	CORD	TRIM	IMPELLER
MNG4SC015203	28301E021	15	208/3	8-4	5.88"	154371132
MNG4SC015223	28301E022	15	230/460/3	8-4	5.88"	154371132
MNG4SC015243	28301E023	15	460/3	8-4	5.88"	154371132
MNG4SC015253	28301E024	15	575/3	10-4	5.88"	154371132
MNG4SCX015203	28301E621	15	208/3	8-4	5.88"	154371132
MNG4SCX015223	28301E622	15	230/460/3	8-4	5.88"	154371132
MNG4SCX015243	28301E623	15	460/3	8-4	5.88"	154371132
MNG4SCX015253	28301E624	15	575/3	10-4	5.88"	154371132
MNG4SC020223	28301E032	20	230/460/3	8-4	6.75"	154371062
MNG4SC020243	28301E033	20	460/3	8-4	6.75"	154371062
MNG4SC020253	28301E034	20	575/3	8-4	6.75"	154371062
MNG4SCX020223	28301E632	20	230/460/3	8-4	6.75"	154371062
MNG4SCX020243	28301E633	20	460/3	8-4	6.75"	154371062
MNG4SCX020253	28301E634	20	575/3	8-4	6.75"	154371062
MNG4SC023223	28301E041	23	230/460/3	6-4	7.25"	154371022
MNG4SC023243	28301E042	23	460/3	8-4	7.25"	154371022
MNG4SC023253	28301E043	23	575/3	8-4	7.25"	154371022
MNG4SCX023223	28301E641	23	230/460/3	6-4	7.25"	154371022
MNG4SCX023243	28301E642	23	460/3	8-4	7.25"	154371022
MNG4SCX023253	28301E643	23	575/3	8-4	7.25"	154371022

IMPELLER PARTS LIST - MNG4HC(X) - 1750 RPM

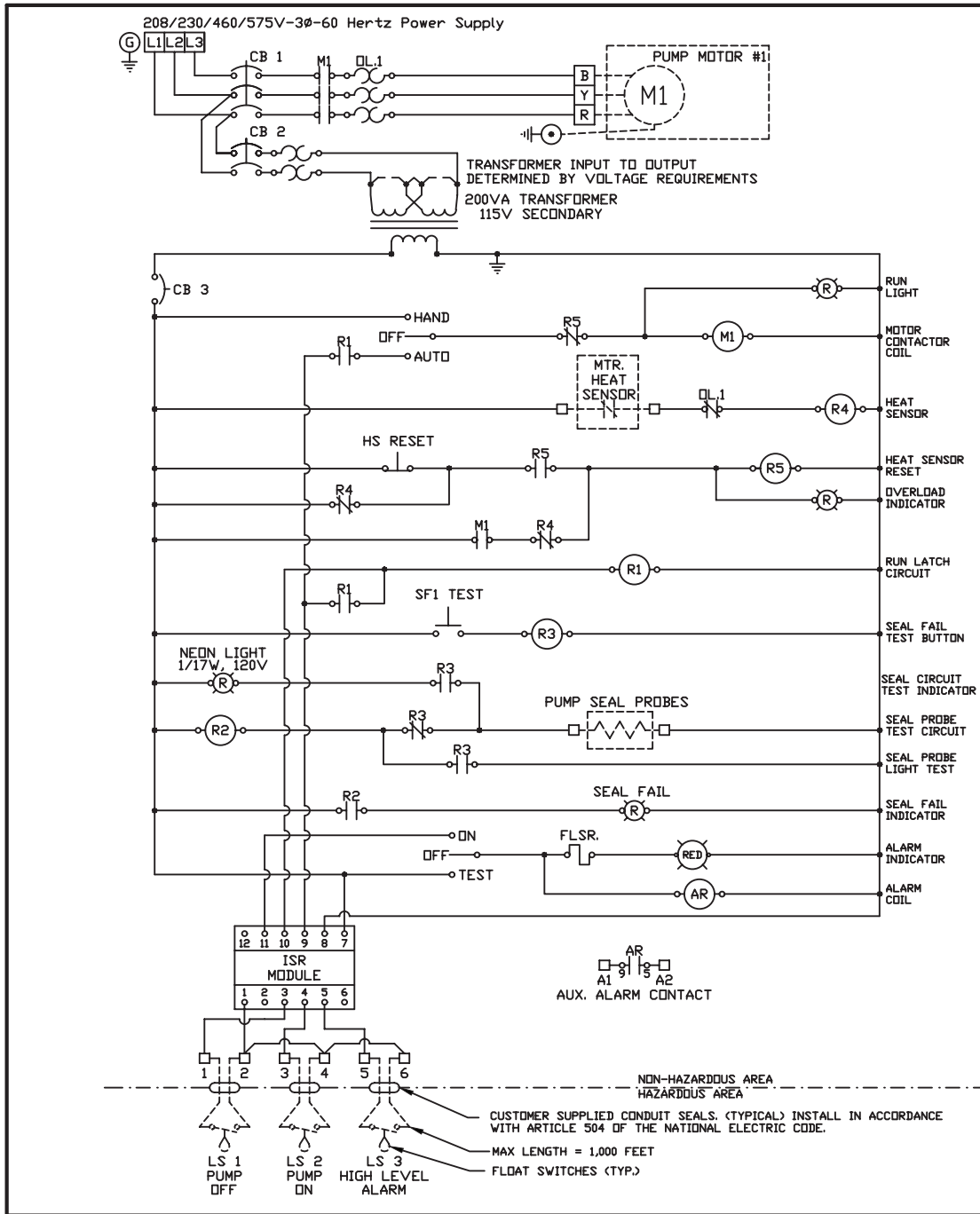
CATALOG #	ENGINEERING #	HP	VOLTAGE/PH	CORD	TRIM	IMPELLER
MNG4HC015403	28253E021	15	208/3	8-4	9.13"	154471192
MNG4HC015423	28253E022	15	230/460/3	8-4	9.13"	154471192
MNG4HC015443	28253E023	15	460/3	8-4	9.13"	154471192
MNG4HC015453	28253E024	15	575/3	10-4	9.13"	154471192
MNG4HCX015403	28253E621	15	208/3	8-4	9.13"	154471192
MNG4HCX015423	28253E622	15	230/460/3	8-4	9.13"	154471192
MNG4HCX015443	28253E623	15	460/3	8-4	9.13"	154471192
MNG4HCX015453	28253E624	15	575/3	10-4	9.13"	154471192
MNG4HC020403	28253E031	20	208/3	6-4	10.5"	154471082
MNG4HC020423	28253E032	20	230/460/3	6-4	10.5"	154471082
MNG4HC020443	28253E033	20	460/3	6-4	10.5"	154471082
MNG4HC020453	28253E034	20	575/3	8-4	10.5"	154471082
MNG4HCX020403	28253E631	20	208/3	6-4	10.5"	154471082
MNG4HCX020423	28253E632	20	230/460/3	6-4	10.5"	154471082
MNG4HCX020443	28253E633	20	460/3	6-4	10.5"	154471082
MNG4HCX020453	28253E634	20	575/3	8-4	10.5"	154471082
MNG4HC023423	28253E018	23	230/460/3	6-4	11.13"	154471032
MNG4HC023443	28253E019	23	460/3	8-4	11.13"	154471032
MNG4HC023453	28253E020	23	575/3	8-4	11.13"	154471032
MNG4HCX023423	28253E618	23	230/460/3	6-4	11.13"	154471032
MNG4HCX023443	28253E619	23	460/3	8-4	11.13"	154471032
MNG4HCX023453	28253E620	23	575/3	8-4	11.13"	154471032

PARTS LIST

IMPELLER PARTS LIST - MNG6MC(X) - 1750 RPM

DESCRIPTION	ENGINEERING #	HP	VOLTAGE/PH	CORD	TRIM	IMPELLER
MNG6MC015403	28252E021	15	208/3	8-4	8.75"	154421102
MNG6MC015423	28252E022	15	230/460/3	8-4	8.75"	154421102
MNG6MC015443	28252E023	15	460/3	8-4	8.75"	154421102
MNG6MC015453	28252E024	15	575/3	10-4	8.75"	154421102
MNG6MCX015403	28252E621	15	208/3	8-4	8.75"	154421102
MNG6MCX015423	28252E622	15	230/460/3	8-4	8.75"	154421102
MNG6MCX015443	28252E623	15	460/3	8-4	8.75"	154421102
MNG6MCX015453	28252E624	15	575/3	10-4	8.75"	154421102
MNG6MC020403	28252E031	20	208/3	6-4	9.5"	154421042
MNG6MC020423	28252E032	20	230/460/3	6-4	9.5"	154421042
MNG6MC020443	28252E033	20	460/3	6-4	9.5"	154421042
MNG6MC020453	28252E034	20	575/3	8-4	9.5"	154421042
MNG6MCX020403	28252E631	20	208/3	6-4	9.5"	154421042
MNG6MCX020423	28252E632	20	230/460/3	6-4	9.5"	154421042
MNG6MCX020443	28252E633	20	460/3	6-4	9.5"	154421042
MNG6MCX020453	28252E634	20	575/3	8-4	9.5"	154421042
MNG6MC023423	28252E035	23	230/460/3	6-4	10.0	154421002
MNG6MC023443	28252E036	23	460/3	8-4	10.0	154421002
MNG6MC023453	28252E037	23	575/3	8-4	10.0	154421002
MNG6MCX023423	28252E635	23	230/460/3	6-4	10.0	154421002
MNG6MCX023443	28252E636	23	460/3	8-4	10.0	154421002
MNG6MCX023453	28252E637	23	575/3	8-4	10.0	154421002

WIRING DIAGRAM

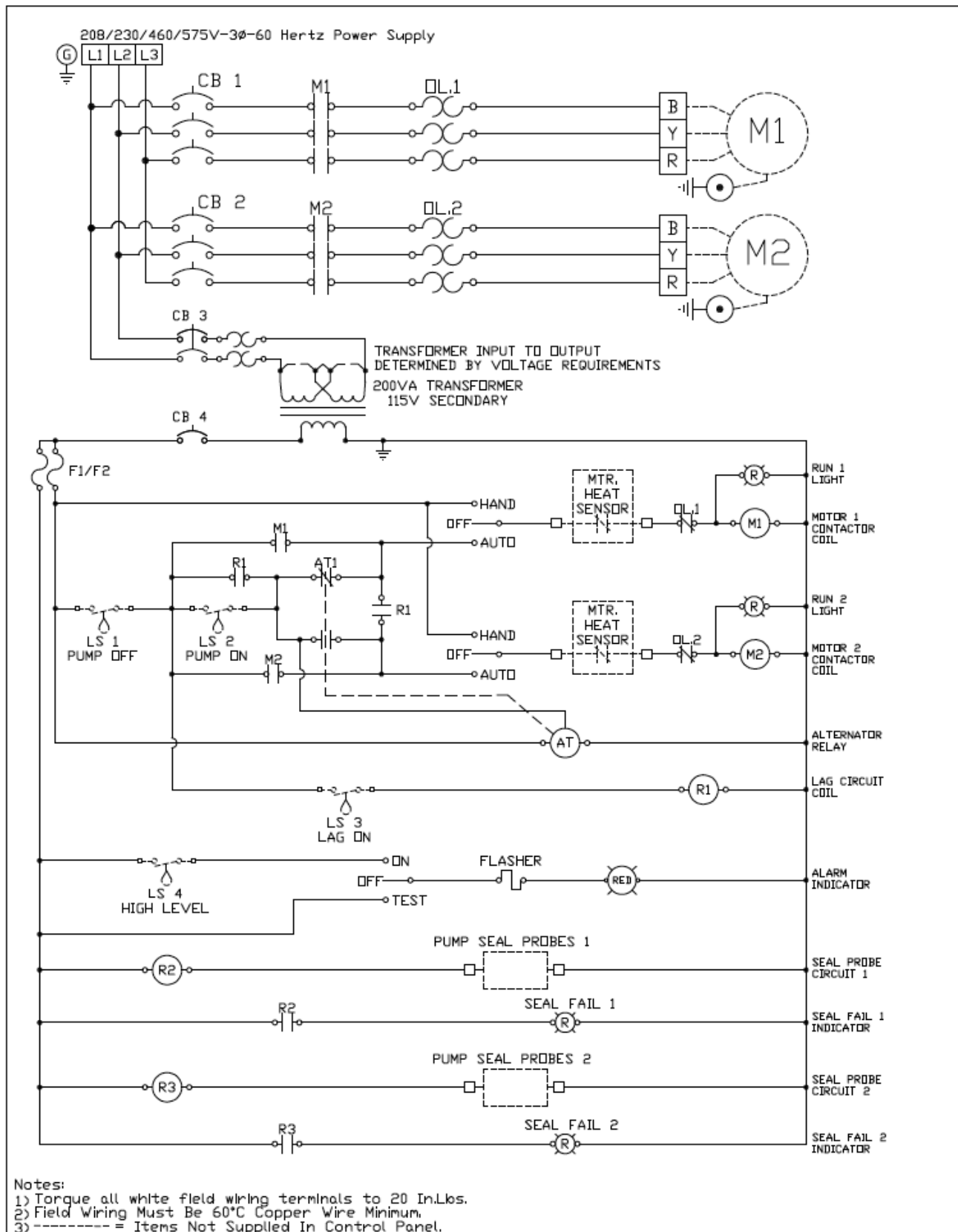


3 PHASE

Notes:

1. Level Switches Must be Rated a Minimum of 2 Amps at 120 Volts.
2. Torque all field wiring terminals to 20 in. Lbs.
3. Field Wiring Must be 60°C Copper Wire Minimum.
4. ----- = Items Not Supplied In Control Panel.
5. Pump power, heat sensor, and seal probe cables must pass through approved NEC 501.15 conduit seals.

WIRING DIAGRAM



STANDARD LIMITED WARRANTY

Pentair Myers® warrants its products against defects in material and workmanship for a period of 12 months from the date of shipment from Pentair Myers or 18 months from the manufacturing date, whichever occurs first – provided that such products are used in compliance with the requirements of the Pentair Myers catalog and technical manuals for use in pumping raw sewage, municipal wastewater or similar, abrasive-free, noncorrosive liquids.

During the warranty period and subject to the conditions set forth, Pentair Myers, at its discretion, will repair or replace to the original user, the parts that prove defective in materials and workmanship. Pentair Myers reserves the right to change or improve its products or any portions thereof without being obligated to provide such a change or improvement for prior sold and/or shipped units.

Start-up reports and electrical schematics may be required to support warranty claims. Submit at the time of start-up through the Pentair Myers website: <http://forms.pentairliterature.com/startupform/startupform.asp?type=m>. Warranty is effective only if Pentair Myers authorized control panels are used. All seal fail and heat sensing devices must be hooked up, functional and monitored or this warranty will be void. Pentair Myers will cover only the lower seal and labor thereof for all dual seal pumps. Under no circumstance will Pentair Myers be responsible for the cost of field labor, travel expenses, rented equipment, removal/reinstallation costs or freight expenses to and from the factory or an authorized Pentair Myers service facility.

This limited warranty will not apply: (a) to defects or malfunctions resulting from failure to properly install, operate or maintain the unit in accordance with the printed instructions provided; (b) to failures resulting from abuse, accident or negligence; (c) to normal maintenance services and parts used in connection with such service; (d) to units that are not installed in accordance with applicable local codes, ordinances and good trade practices; (e) if the unit is moved from its original installation location; (f) if unit is used for purposes other than for what it is designed and manufactured; (g) to any unit that has been repaired or altered by anyone other than Pentair Myers or an authorized Pentair Myers service provider; (h) to any unit that has been repaired using non factory specified/OEM parts.

Warranty Exclusions: PENTAIR MYERS MAKES NO EXPRESS OR IMPLIED WARRANTIES THAT EXTEND BEYOND THE DESCRIPTION ON THE FACE HEREOF. PENTAIR MYERS SPECIFICALLY DISCLAIMS THE IMPLIED WARRANTIES OF MERCHANTABILITY AND FITNESS FOR ANY PARTICULAR PURPOSE.

Liability Limitation: IN NO EVENT SHALL PENTAIR MYERS BE LIABLE OR RESPONSIBLE FOR CONSEQUENTIAL, INCIDENTAL OR SPECIAL DAMAGES RESULTING FROM OR RELATED IN ANY MANNER TO ANY PENTAIR MYERS PRODUCT OR PARTS THEREOF. PERSONAL INJURY AND/OR PROPERTY DAMAGE MAY RESULT FROM IMPROPER INSTALLATION. PENTAIR MYERS DISCLAIMS ALL LIABILITY, INCLUDING LIABILITY UNDER THIS WARRANTY, FOR IMPROPER INSTALLATION. PENTAIR MYERS RECOMMENDS INSTALLATION BY PROFESSIONALS.

Some states do not permit some or all of the above warranty limitations or the exclusion or limitation of incidental or consequential damages and therefore such limitations may not apply to you. No warranties or representations at any time made by any representatives of Pentair Myers shall vary or expand the provision hereof.



1101 Myers Parkway
Ashland, OH 44805
Ph: 855.274.8948
Fx: 800.426.9446

490 Pinebush Road, Unit 4
Cambridge, Ontario, Canada N1t 0a5
Ph: 800.363.7867
Fx: 888.606.5484

[pentair.com/myers](https://www.pentair.com/myers)

Loctite® is a registered trademark of Henkel AG & Company KGaA.

All indicated Pentair trademarks and logos are property of Pentair. Third party registered and unregistered trademarks and logos are the property of their respective owners.

©2025 Pentair. All Rights Reserved.

MY12715 / 23833A733 (03-24-25)